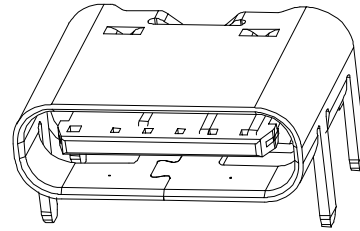
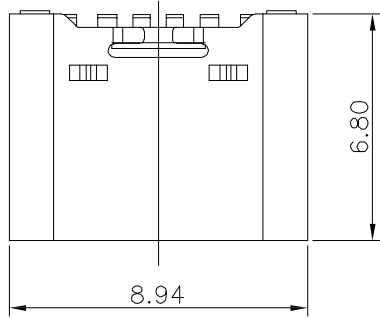


* RoHS COMPLIANT *

* REVISIONS

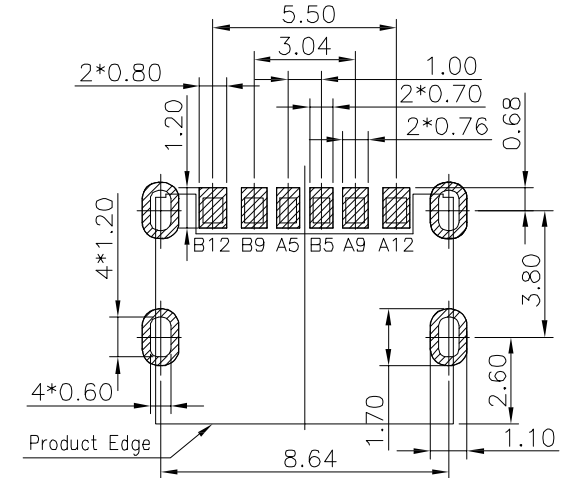
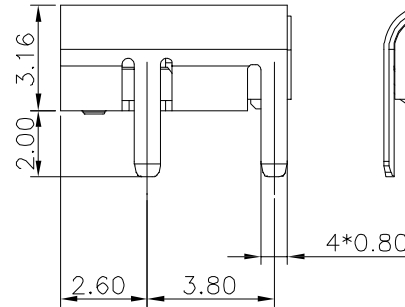
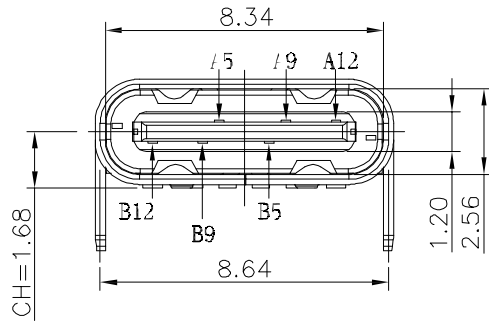
LTR	DESCRIPTION	DATE	REVISED	APPROVED



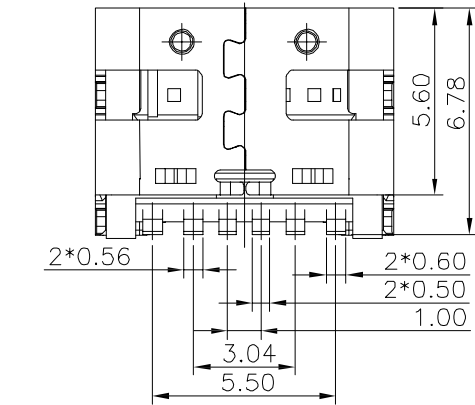
NOTES:

SPECIFICATION:

1. CURRENT RATING: 5.0A MAX
2. VOLTAGE: 100 VAC
3. TEMPERATURE RANGE: -30 °C ~ 85 °C
4. CONTACT RESISTANCE: 40 MILLIONHM MAX
5. INSULATION RESISTANCE: 100 MEGOHMS MIN.
6. INSERTION FORCE : 5N~20N
7. UNMATING FORCE: 8N~20N
8. DURABILITY:10000 CYCLES



RECOMMENDED P.C.B. LAYOUT
TOLERANCE UNSPECIFIED ±0.05mm



A5	CC1	B12	GND
A9	VBUS	B9	VBUS
A12	GND	B5	CC2
PIN	SIGNAL NAME	PIN	SIGNAL NAME

2	CONTACT	COPPER ALLOY	AU1U" PLATING ON CONTACT AREA; TIN TING ON SOLDER TAIL,NI UNDERPLATING OVERALL	1SET
3	SHELL	STAINLESS STEEL	NI: 50u" Plated	1SET
2	CONTACT	COPPER ALLOY	AU3U" PLATING ON CONTACT AREA; TIN TING ON SOLDER TAIL,NI UNDERPLATING OVERALL	1SET
1	HOUSING	HIGH TEMPERATURE PLASTIC	BLACK	1PCS
NO.	DESCRIPTION	MATERIAL	REMARKS	QTY

DWN	LILY	DATE	2020.07.16	3RD ANGLE PROJECTION	NAME	USB TYPE C 6PIN SMT板上母座
CHKD	ANDY	DATE	2020.07.16		CAT. NO.	JCU-JDR-USCF003-S008
APVD	JON	DATE	2020.07.16		UNIT: mm	DWN.NO.
JKCR Electronics Co., Ltd.						001

UNLESS OTHERWISE SPECIFIED, TOLERANCE ON DECIMAL: ±0.3